
INSTRUCTION GUIDE

COMMERCIAL RO WATER PURIFIER

AHR27-4030K2

AHR27-2030K2

Please read this instruction manual carefully before operating and keep it properly for future reference.

Shenzhen Angel Environmental Protection
Technology Co., Ltd.

Address: 2F, building 1, Songbai Road East office building,
Shiyan street, Bao'an District, Shenzhen

Zip code: 518108

Manufacturer: Ningbo Aocheng Electric Appliance Co., Ltd.

Address of manufacturer: No.68 Dagang 1st Road, Xinqi,
Beilun District, Zhejiang Province

Tel: 0574-86881118

Zip code: 315800

Version code: XFY-19.08

Official website: www.angelgroup.com.cn

ANGEL

Catalogue

Attentions	01
Product introduction	0 2
Product specification	0 2
Installation	0 3
Structural diagrams	04
Electric control schematic diagram	04
Water purification flow diagram	05
Operation instructions	05
Technical parameter	06
Service Information	0 7
Product maintenance guide	0 7
Packing list	08

Attentions

- The leakage circuit breaker shall be installed at the power line inlet of the direct drinking machine, and the rated power of the leakage circuit breaker shall match the rated power of the selected direct drinking machine.
 - In cold and ice-prone areas where the ambient temperature is lower than 1 °C, when the direct drinking machine is not used for a long time, the water inside the machine shall be emptied, and then the power supply shall be turned off.
 - The direct drinking machine should not be installed outdoors or indoors in damp places, but indoors in a place with good drainage.
 - The tap water pressure must be $\geq 100\text{KPA}$; if it is less than 100KPA, please add a booster at the water inlet of the equipment.
 - If the water output of the equipment is significantly reduced, or the water quality and taste become poor, the professional personnel shall be immediately invited to clean the filter element or replace the filter element.
 - In case of any electrical failure of the equipment, it is required to ask professional personnel to replace the parts or eliminate the failure. Non-professional personnel are strictly prohibited from dismantling and assembling.
 - The direct drinking machine shall be installed in a proper place with flat ground, wide site, good drainage and convenient power connection.
 - The installed direct drinking machine must be stable.
 - For the first use, the water purification system of the direct drinking machine must be flushed and treated, and the filter element must be flushed and pretreated. And the post-activated carbon must be washed clean, and the washing water shall not flow into the RO membrane until there is no black sewage flowing out.
 - When the machine is not used for a long time (or the ambient temperature is lower than zero), please shut down and drain the water in the machine. Filter barrel, pressure barrel, exchange tank and water tank to prevent deterioration of accumulated water or damage of parts due to icing.
 - It is forbidden to block the air outlet and water outlet.
 - If the product is found to have water leakage, the power shall be cut off immediately, and then the tap water shall be shut down and the local dealer shall be informed or the service hotline of our company shall be called. The professional staff shall come to the door for maintenance, and do not repair by themselves. If there is any situation in the self-maintenance or the components are damaged, our company will not bear any legal responsibility.
 - For people (including children) with physical, sensory or intellectual defects, or lack of experience and knowledge, please use the product correctly under the supervision of adults.
 - The appliance shall not be cleaned with jet water.
- Note: if the power cord is damaged, it must be replaced by the after-sales service personnel of angel company.

1.Product introduction

Thank you for purchasing Angel direct drink machine . In order to make you install, use and maintain the product properly, please read the product manual carefully.

The water source of the product is municipal tap water, which is treated by PP + pre activated carbon + PP + reverse osmosis filter + Post activated carbon. It can provide clean and healthy water with fresh water quality and ready to drink. It is an ideal direct drinking machine for train, shopping malls, governments, public service institutions, medium and large-scale institutions and airports.

2.Product introduction

1. Step heating, layer by layer water inlet layer by layer heating, effective energy saving, to ensure that the water temperature is above 90 °C.
2. Five stage reverse osmosis filtration system can effectively remove sediment, rust, residual chlorine, heavy metals and other harmful substances in the water.
3. Microcomputer program control design, personalized elevation, LED high brightness display, integrating filter element life, current time, fault prompt and temperature display.
4. The delicate touch button can provide water with long service life and more convenient water intake.
5. The water temperature of hot water outlet is adjustable from 50 °C to 97 °C, and the hot water button is locked safely to prevent scalding.
6. Eco energy saving mode, timed on-off energy saving setting, can be set to shut down in the period of not use, and automatically start before use.
7. Double anti dry burning, water leakage protection of the whole machine, to ensure that the product operates in a safe environment.
8. Cold cathode UV germicidal lamp, with high efficiency of bacteriostasis and protection of water quality safety.

3.Installation

1. Check the packing list

Open the packing box and check whether all the materials are complete according to the packing list. If any lost materials are found, please contact the local dealer or the company directly.

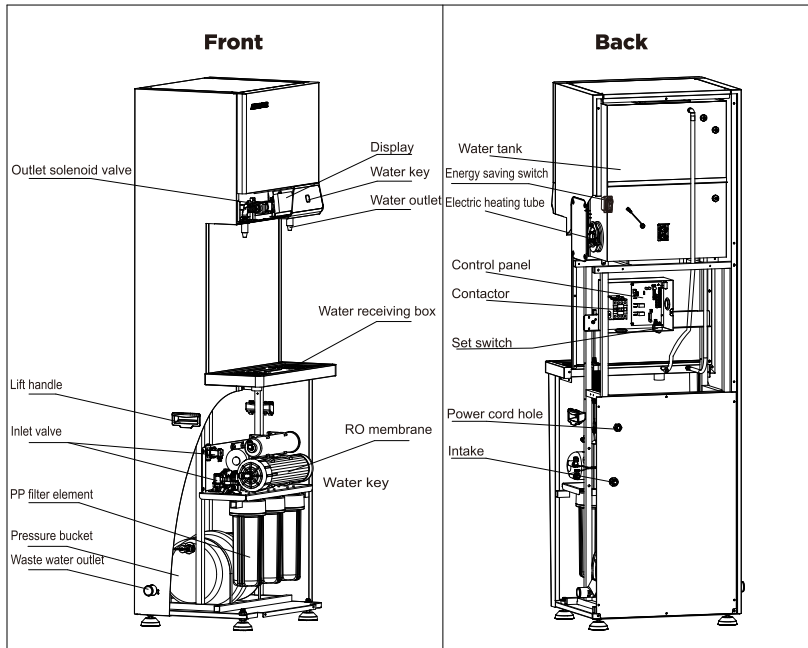
2. Selection of installation site

Choose places that are easy to connect water, power, drain water, avoid direct sunlight and clean; there is no accumulation of debris around, easy to install, no inflammable and explosive objects.

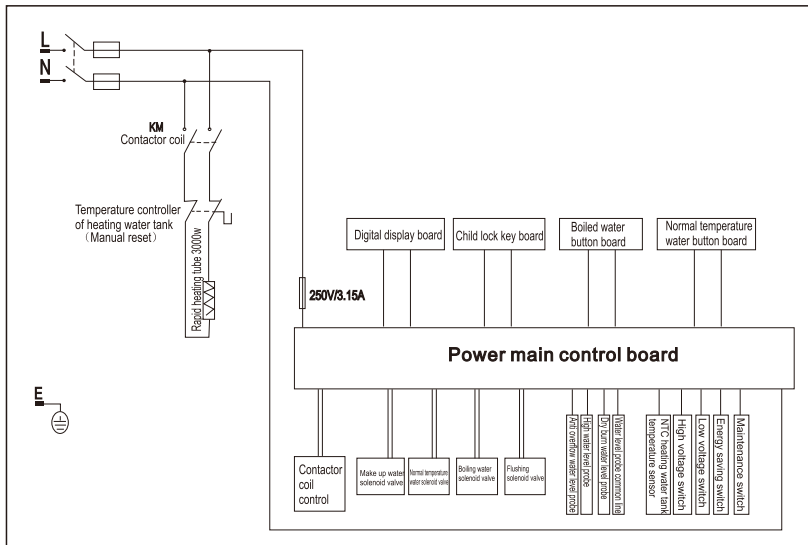
3. Connected to water inlet

Take out the products and accessories and place them in a proper place. The direct drinking machine must be placed stably, with uneven water outlet from the waterproof nozzle; the water source is municipal tap water; equipped with independent valves; connected with the direct drinking machine with a 10 mm diameter PE pipe.

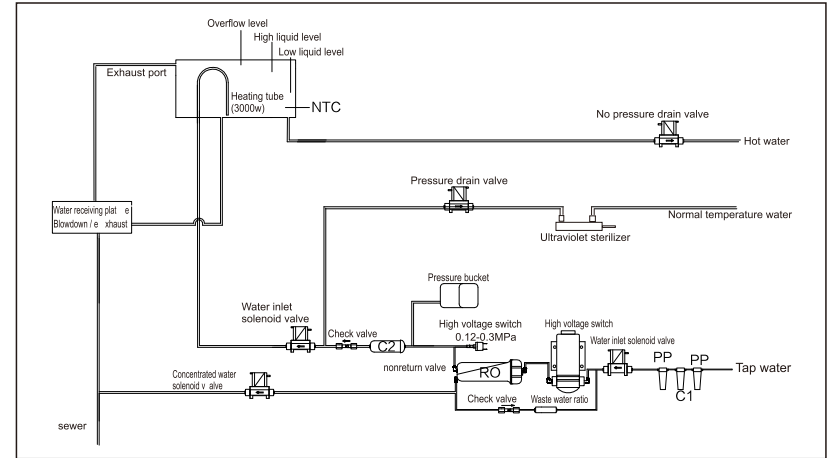
4. Structural diagrams



5. Electric control schematic diagram

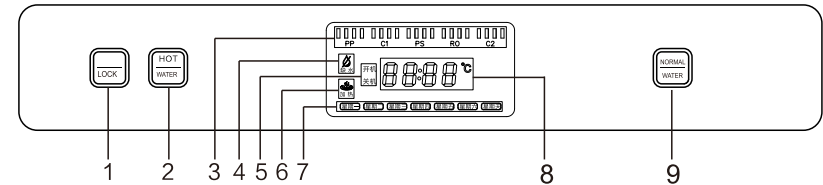


6. Water purification flow diagram



Note: ordinary version without UV sterilization

7. Operation instructions



- Child lock button
- Hot water button
- Filter element status display
- Water shortage display
- Energy saving mode setting display
- Heating status display
- Display of current date
- Time and hot water temperature display
- Normal temperature water button

1. Key operation instructions

1.1 hot water extraction: first press the child lock button on, and then press the hot water button when the sound is heard. The indicator light of the button flashes, and the hot water outlet solenoid valve opens to start hot water extraction. Then press the hot water button again, and the indicator light of the hot water button stops flashing. At the same time, close the hot water outlet solenoid valve to end hot water extraction.

1.2 take the constant temperature water: press the constant temperature water take button, the indicator light of the normal temperature water button will flash, and the normal temperature water will flow out of water and electricity.

When the magnetic valve is opened, the normal temperature water starts to flow out; press the normal temperature water button again, the indicator light of the normal temperature water button stops flashing, and at the same time, close the normal temperature water outlet water and electricity magnetic valve to end the normal temperature water flow.

Note: ordinary version without child lock key!

8.Operation instructions

1. Setting mode:

1.1 setting mode of entry and exit: when the whole machine is powered on and there is no fault, close the setting switch, the digital screen displays fully, and the key light is always on, then press and hold the "boiled water" and "normal temperature water" buttons simultaneously for 5 seconds to enter the setting mode, at this time, the current week * of the digital screen flashes, and the other displays are displayed as standby. After setting, disconnect the setting switch to exit the setting mode.

1.2 setting method: after entering the setting mode, touch the boiled water button to adjust the value, and then touch the constant temperature water button to switch the setting options.

1.3 setting content: after entering the setting mode, you can adjust the time, week, startup, shutdown and heating temperature.

2. Filter element life removal: after replacing the filter element, close the setting switch when the whole machine is powered on and there is no fault. The digital screen displays fully and the key light is always on. After that, press the "normal temperature water" button for 8 seconds. After 8 seconds, the digital screen and the key light are off for 1 second and then they are always on. The accumulated time of the expired filter element is cleared, and the accumulated time of the unexpired filter element is unchanged. The machine operates normally when the setting switch is turned off.

3. Restore factory settings: first close the setting switch, and then power on the whole machine. The digital screen is fully displayed and the key light is always on. At the same time, press the "boiled water" button and the "normal temperature water" button for 8 seconds. After 8 seconds, the digital screen is fully displayed and the key light is off. All settings are restored to factory settings. The digital screen and the key light are off. After the setting switch is disconnected, the machine returns to factory status and continues to work. If there is no valid key within one minute, the screen will go out and all settings cannot be initialized. After the setting switch is turned off, the machine will continue to work in the previous state.

9. Technical parameter

Model No.	AHR27-4030K2	AHR27-2030K2
Main filter element	400G RO membrane	200G RO membrane
Operating ambient temperature	5℃-40℃	5℃-40℃
Purification capacity	1.0L/min	0.53L/min
Rated total net water	3000L	3000L
Rated voltage	200V/50HZ	200V/50HZ
Hot water output	30L/h	
Normal temperature water output rate	63L/h	32L/h
Rated power	3300W	3300W
Applicable water sources	Municipal tap water	Municipal tap water
operated pressure	400kPa-700kPa	400kPa-700kPa
Inlet pressure	100kPa-400kPa	100kPa-400kPa
Product size	500x462.5x1720mm	500x462.5x1537mm

10.Service Information

1. In case of any abnormality of your direct drinking machine, please follow the "maintenance guide". If you are unable to troubleshoot, please contact our company or your local distributor.

2. The product is guaranteed for one year. In case of damage caused by the user during the warranty period, the material cost will be appropriately charged.

3. In case of an y fault after the warranty period of the product, the customer may require the company to repair and inspect the product, but the material cost shall be charged.

4. The company warns that the company will not be responsible for any consequences caused by the user's use of non production supporting parts to replace them on the commercial drinking water equipment.

5. You can also write to us or call us to let us know the following:

5.1 product name, model, installation method and purchase date

5.2 Faults occurred

5.3 mailing address, name and contact information

6. Faults code

E01 heating water tank temperature sensor failure

E05 overflow fault

E06 dry burning water level failure

E07 water make-up solenoid valve working protection

E08 continuous operation protection of water purifier

11.Product maintenance guide

Faults	Cause of faults	Elimination method
No display	Power failure Fuse blown Energy saving switch on	Pending power supply Replace the fuse Disconnect the energy saving switch
Unheated	Thermostat failure Heating pipe failure Contact or failure Electric control board failure	Replace the thermostat, heating pipe, contact or electric control board. If you can't install it yourself, please contact Angel's service personnel for installation.
Water temperature is low	Insufficient heating time Heating pipe is burnt out Temperature sensor is broken	Wait for heating, replace the heating pipe or replace the temperature sensor
Leakage switch can't be reset	Electric leakage Heating pipe is burnt out	Check circuit Replace the heating pipe
No effluent	Water outlet temperature not reached Water shortage of water tank Damaged solenoid valve or control board	Wait for the water temperature to rise To be replenished by water tank Replace solenoid valve or control board

12.Packing list

Name	Specification description	Unit	
Filter	10 inch PP filter cartridge (2 pieces), 10 inch activated carbon filter cartridge (1 piece)	Pc	3
RO membrane	400G/ 200G	Pc	1
Wrench	10 inch bucket wrench	Pc	1
Wrench	20 inch module case wrench	Pc	1
Instruction guide	AHR27Commercial RO water purifier	Pc	1
Warranty card	Angel logo	Pc	1
Install information card	3	Pc	1
Attentions		Pc	1
Connecting bellows	G1/2,L=50cm	Pc	1
Drain hose	Plastic, $\Phi 32$,L=1.0m	Pc	1
Drum shaped rubber particle	Plastic cement	Pc	3
Silicone pad	15mm, $\Phi 19.8^* \Phi 12^*2.2$	Pc	4

展开尺寸：280X210mm，折后尺寸：140X210mm

材质：128g铜版纸

封面彩印（按设计要求，蓝色为PANTONE 3125C,内页统一单黑印刷）

封面版本号中"###"为供应商代码,代码字母需大写.

图号	HC-AHR27-SMS-01	型号	见图纸	名称	说明书	材料	128g铜版纸	版本		设计	曾志坚	内审		审核		批准	
----	-----------------	----	-----	----	-----	----	---------	----	--	----	-----	----	--	----	--	----	--